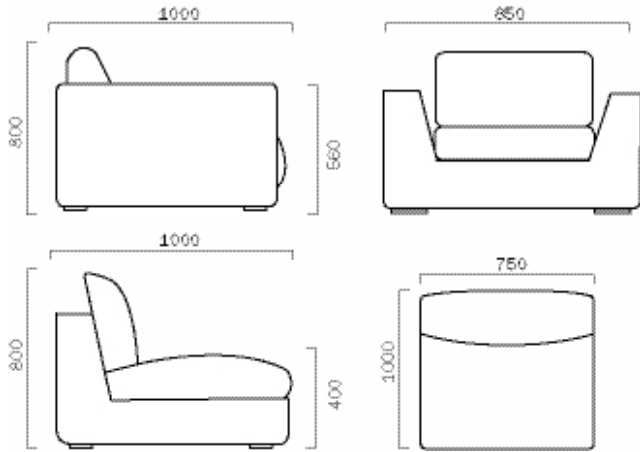


# Didier

## Product guide



Didier is a contemporary take on a thoroughly geometric sofa, softened by elegant quilting.

Its expertly crafted and robust form has strong bones but also delivers superior comfort.

Didier is well grounded by solid stainless steel footings which enhance its low profile.

The quilted seat cushions combine various densities of 'Ultimate Comfort' and 'Indulgence' foams for strength and durability, while the back cushions are filled with a luxurious

feather and down quilt over a polyurethane foam core insert, enclosed in a heavy-duty fabric case.

The Didier range includes two, two and a half, three and king sofa options plus matching chairs and ottomans.

While Sofa Establishment specialises in leather, Didier can be made in a fabric of your choice.

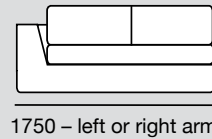
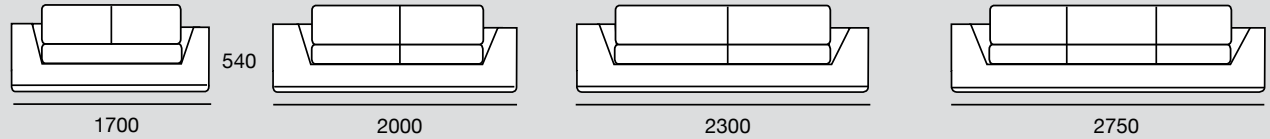
Proudly made in Australia and guaranteed for ten years.

# SOFA

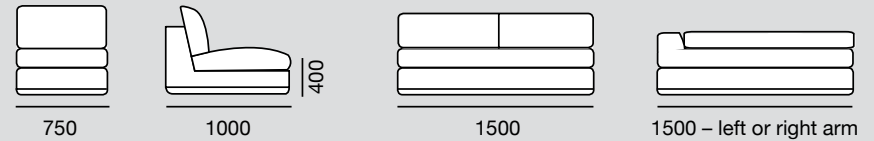
ESTABLISHMENT

74A Belmore Road (North), Riverwood NSW 2210  
[www.sofaestablishment.com.au](http://www.sofaestablishment.com.au)  
 p +61 (0)2 9533 5378 | m +61 (0)408 998 398  
 e [info@sofaestablishment.com.au](mailto:info@sofaestablishment.com.au)

Choose from two, two and a half, three and king sofa



All seats are also available armless, with or without cushions



Ottomans

